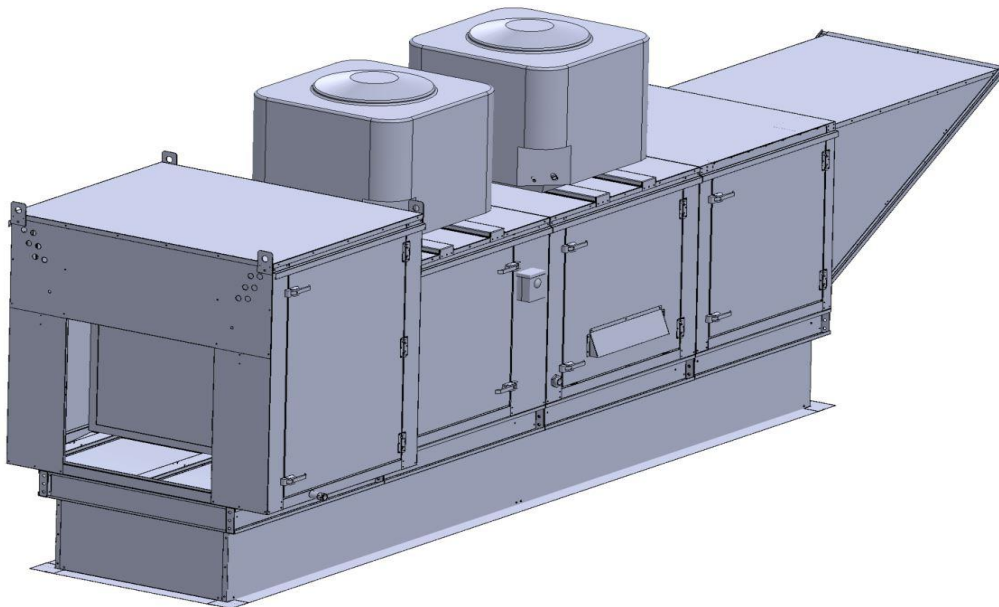


Gas-Fired Tempered Make-Up Air Unit / DX

Model:

TK1-DX-3PH-FF

3-Phase, 230V, 2.00 HP, Belt driven with Motorized Damper and 10" Blower. MAX 2500 CFM's





TK1-250 Direct Fired MPU (1299 lbs./83 curb)

Supply Motor:

Model 00218OT3E56Z-S48PP, 2.000 HP, 3 Phase, 230 V, 60Hz, 5.3 FLA, ODP (Open Drip Proof)

Supply Motor Pulleys:

<u>Part Type</u>	<u>Qty</u>	<u>Browning #</u>	<u>Turns Out</u>
Belt	1	AX37	
Blower Pulley	1	AK39 x 3/4	
Motor Pulley	1	1VL40 x 7/8	2.0

Burner:

Min Output BTU: 18,000 BTU/Hr
Max Output BTU: 275,000 BTU/Hr
Size: 6" long
Gas Type: Natural

Supply Performance:

Volume: 2500 cfm Volume Range: 1800-2500 cfm
RPM: 1470
TS: 3848 ft/min
SP: 1.202" w.g.
0.500" Ext. + 0.071" Int. + 0.631" Opt.
BHP: 1.872

Heating Schedule:

Altitude: 0'
Winter Entering Air Dry Bulb Temp: 0°F
Temp Rise: 100°F
Output BTU: 270000
Input BTU: 293478
BTUs BASED OFF STANDARD AIR DENSITY

Cooling Schedule:

DX Coil Entering Dry Bulb Temperature: 90°F
DX Coil Entering Wet Bulb Temperature: 72°F
DX Coil Leaving Dry Bulb Temperature: 75°F
DX Coil Leaving Wet Bulb Temperature: 66°F
DX Coil Total Capacity: 55.3 MBH
DX Coil Sensible Capacity: 40.0 MBH
DX Coil Latent Capacity: 15.3 MBH
Temperature drop calculations are based on tested data.

Supply Installation Information:

Gas Inlet Pressure: 7 in. w.c. - 14 in. w.c.
Insurance: No Insurance Requirement (ANSI)
Unit Main Input: 7.7 Amps MCA, 15 Amps MOP, 230 V, 14 AWG Wire Min.
Condenser #1: 11.2 Amps MCA, 20 Amps MOP, 208-230, 14 AWG Wire Min.
Condenser #2: 11.2 Amps MCA, 20 Amps MOP, 208-230, 14 AWG Wire Min.
Supply Unit Voltage: 3 phs 230 V 60Hz

Construction Features

Housing constructed of heavy duty G90 galvanized steel • Forward curved centrifugal blower wheel • Vibration isolation • Adjustable drive assemblies • Adjustable motor mount • Ball bearing motors • Heavy duty, pre-lubricated bearings rated for 200,000 hours of operation • Static resistant belts • Service doors on both sides • Horizontal & down discharge • Large intake area ensures low pressure drop across unit • Spring loaded profile plates automatically adjust for any airflow - no manual setting required! • Weatherproof safety disconnect switch • Modular design provides design flexibility • Fully insulated casing

Blower:

10" forward curved, centrifugal blower. Permanently lubricated ball bearings. Galvanized finish. 3/4" x 19" Shaft. 0-4000 CFM. 2500 max. RPM. Used in heated and non-heated supply fans.

Temp Control:

RTC Solutions • 40-90°F Discharge Temp Control • Field Wired On/Off Start Command

Intake:

Sloped Filtered Intake for Size #1 Modular Heater. 21.813" Wide x 44.375" Long x 23.375" High. Includes 2" MV EZ Kleen Metal Mesh Filters.

Filters:

3x MV EZ Kleen Metal Mesh Filter. 16"x 20"x 2" Used for heater and supply fan intakes. (3412)

Curb & Supports:

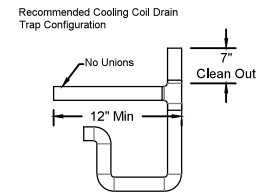
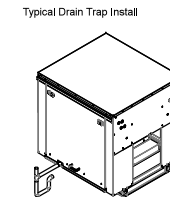
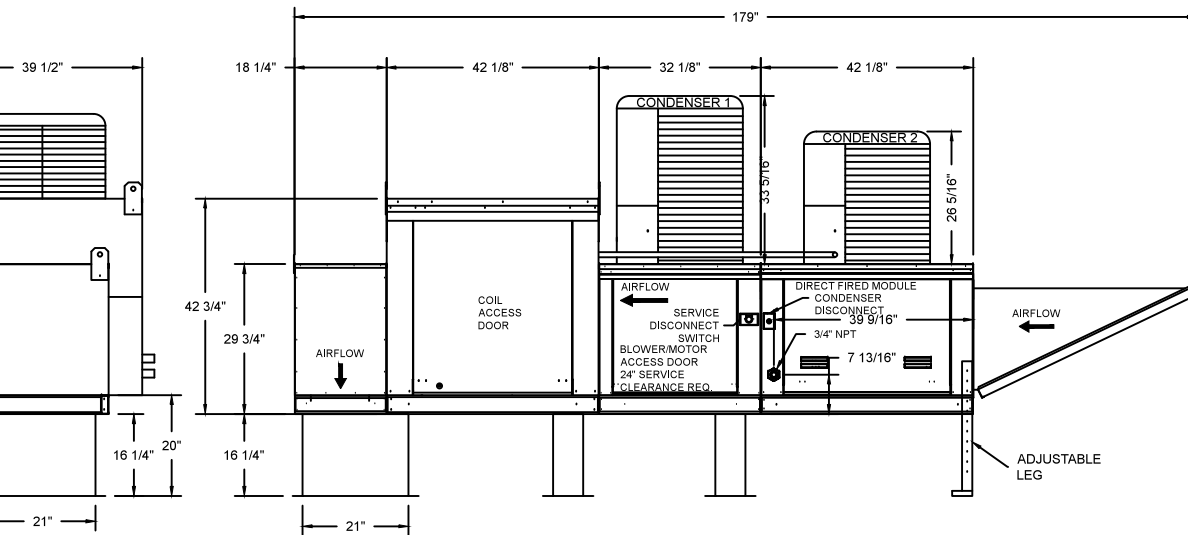
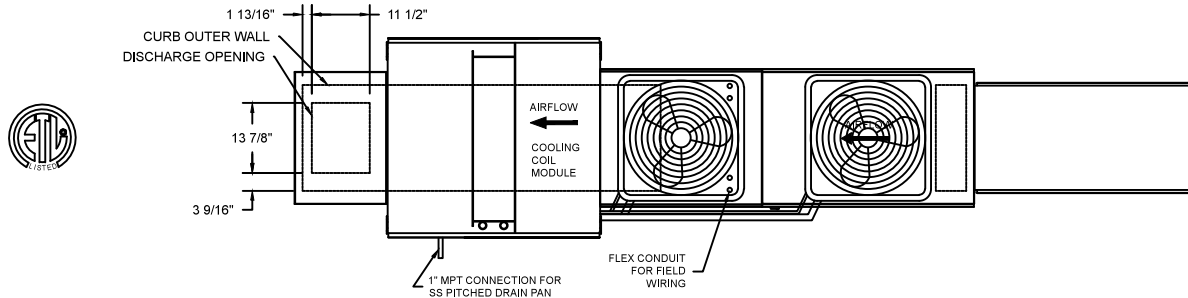
RAIL - 6" Width X 20" Height X 21" Length
ROOF CURB - 21" Width, 71" Length, 20" Supply Height, Insulated. For #1 Modular Heater.

Selected Options:

- Motorized Back Draft Damper 16" X 18" for Size 1 Standard & Modular Heater Units w/Extended Shaft, Standard Galvanized Construction, 3/4" Rear Flange, Low Leakage, TFB120S Actuator Included
- Low Fire Start. Allows the burner circuit to energize when the modulation control is in a low fire position.
- Gas Pressure Gauge, 0-35", 2.5" Diameter, 1/4" Thread Size
- Gas Pressure Gauge, -5 to +15 Inches Wc., 2.5" Diameter, 1/4" Thread Size
- DX Cooling Intake Air Thermostat and Relays Mounted in Unit - Set Point For Thermostat Should Be 85°F.
- 5 Ton, Dual Circuit (2.5/2.5) Modular Packaged Cooling Option for Size 1 Modular Packaged Unit. Includes Condenser, DX Coil, Filter/Dryer Kit, Thermal Expansion Valve, R410A Refrigerant, and Refrigerant Piping. (1,800 to 3,000 cfm) NOT BUILT WITH OPPOSITE SIDE CONTROLS OR OPPOSITE AIRFLOW DIRECTION. CONDENSERS REQUIRE SEPARATE 208V, 3 PHASE POWER SUPPLY UNLESS ORDERED WITH SINGLE POINT CONNECTION. Coil = 2EZ0902ME
- Downturn Plenum for Size 1 Cooling Coil Module - Required for Down Discharge Cooling Coil Applications

- TK1 DIRECT FIRED HEATER WITH DX COOLING
1. DIRECT GAS FIRED HEATED MAKE UP AIR UNIT WITH 10" BLOWER
 2. INTAKE HOOD WITH EZ FILTERS
 3. DOWN DISCHARGE - AIR FLOW RIGHT -> LEFT
 4. MOTORIZED BACK DRAFT DAMPER 16" X 18" FOR SIZE 1 STANDARD & MODULAR HEATER UNITS W/EXTENDED SHAFT, STANDARD GALVANIZED CONSTRUCTION, 3/4" REAR FLANGE, LOW LEAKAGE, TFB120S ACTUATOR INCLUDED
 5. LOW FIRE START, ALLOWS THE BURNER CIRCUIT TO ENERGIZE WHEN THE MODULATION CONTROL IS IN A LOW FIRE POSITION.
 6. GAS PRESSURE GAUGE, 0-35", 2.5" DIAMETER, 1/4" THREAD SIZE
 7. GAS PRESSURE GAUGE, -5 TO +15 INCHES W.C., 2.5" DIAMETER, 1/4" THREAD SIZE
 8. 5 TON, DUAL CIRCUIT (2/3) MODULAR PACKAGED COOLING OPTION FOR SIZE 1 MODULAR PACKAGED UNIT. INCLUDES CONDENSER, DX COIL, FILTER/DRYER KIT, HARD START KIT, THERMAL EXPANSION VALVE, R410A REFRIGERANT, AND REFRIGERANT PIPING.
 9. FULL CRATING FOR COMMERCIAL HEATERS FOR SHIPPING.
 10. DOWNTURN PLENUM FOR SIZE 1 COOLING COIL MODULE - REQUIRED FOR DOWN DISCHARGE COOLING COIL APPLICATIONS
 11. DX COOLING INTAKE AIR THERMOSTAT AND RELAYS MOUNTED IN UNIT - SET POINT FOR THERMOSTAT SHOULD BE 85°F.

NOTE: SUPPLY DUCT MUST BE INSTALLED TO MEET SMACNA STANDARDS. A MINIMUM STRAIGHT DUCT LENGTH MUST BE MAINTAINED DOWNSTREAM OF UNIT DISCHARGE UNLESS OTHERWISE SPECIFIED. DO NOT RELY ON UNIT TO SUPPORT DUCT IN ANY WAY. FAILURE TO PROPERLY SIZE DUCTWORK MAY CAUSE SYSTEM EFFECTS AND REDUCE PERFORMANCE OF THE EQUIPMENT.



- Notes:
- 1) 1" diameter PVC Pipe only
 - 2) Use only low profile couplings
 - 3) Add clean out as shown

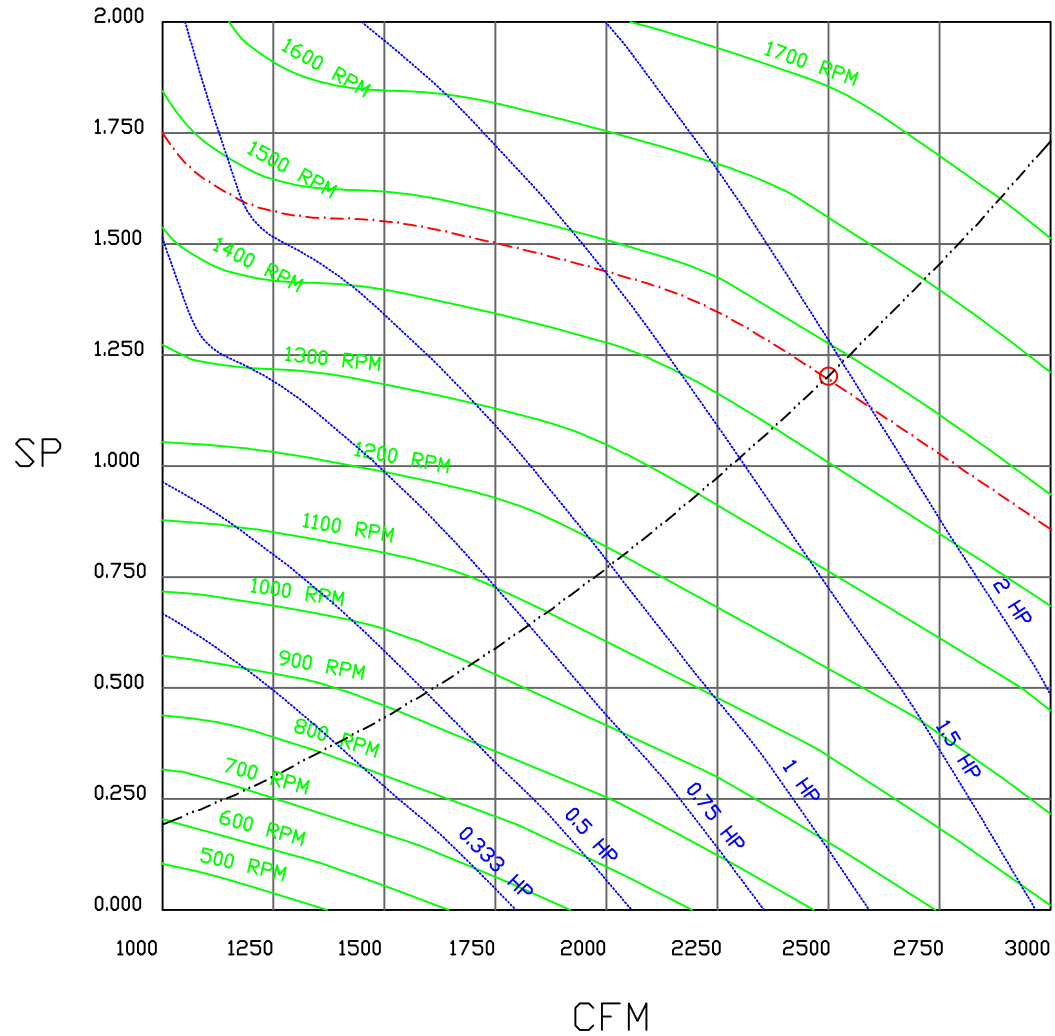


naks NORTH AMERICAN
KITCHEN SOLUTIONS
INCORPORATED

JOB	
LOCATION	
DATE	8/31/18
DWG #	JOB #
REV.	DRAWN BY
SCALE 3/8" = 1'-0"	

(MPU 2500 2HP/3PH-230V) - HEATER PERFORMANCE CURVES.

2500 CFM, 1.202 SP @ 1470 RPM and 1.872 BHP at 0 feet and 100 deg F
 * Please note that these curves were adjusted for job specific temperature and altitude.



	NORTH AMERICAN KITCHEN SOLUTIONS INCORPORATED	JOB	
		LOCATION	
		DATE 8/27/2018	JOB #
		DWG #	DRAWN BY
		REV.	SCALE 3/8" = 1'-0"

Direct Fired Heater Wiring

JOB NAKS DIRECT FIRED MPU

DRAWING NUMBER

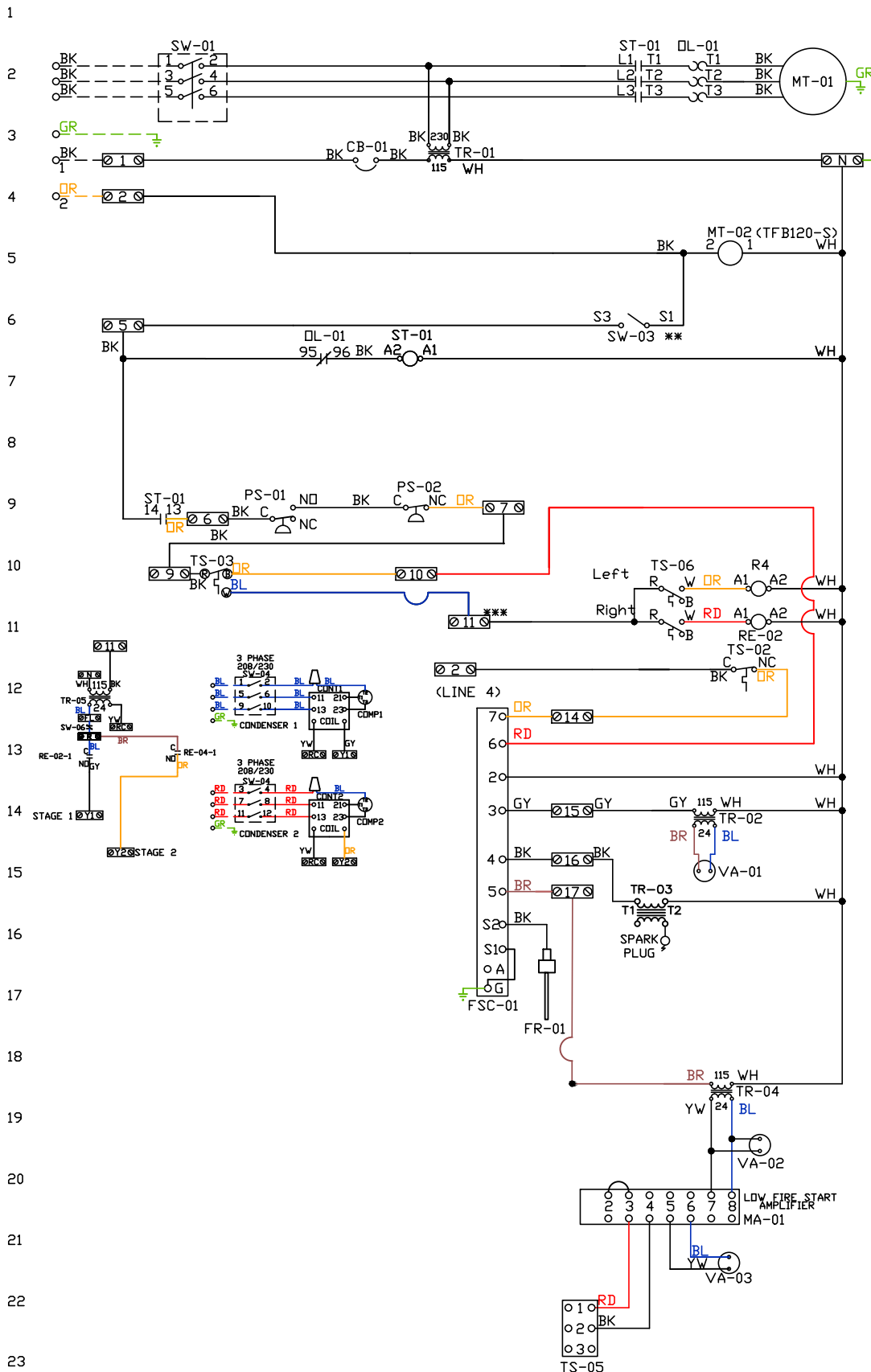
SHIP DATE

MODEL TK 1-4 Series

ATTENTION ELECTRICIAN!
 DROP FOR DISCONNECT CONNECTION
 IS FACTORY SUPPLIED
 CONNECT POWER TO THE DROP

Installed Options
 Field Wired Single Switch Control
 Motorized Back Draft Damper

Discharge Temp. Control
 Cooling Thermostat and Relay



Label	Description	Location
CB-01	Circuit breaker (2amp)	[3]

FR-01	Flame rod	[16]
FSC-01	Fireye FSC	[11-14]

MA-01	Modulating amplifier	[19]
MT-01	Supply motor	[2]
MT-02	Damper motor	[5]
DL-01	Supply motor overload	[2][7]

PS-01	Low Airflow Switch	[9]
PS-02	High Airflow Switch	[9]

RE-02	Stage 1 Heat/Cool Relay	[11][13]
RE-04	Stage 2 Cooling Relay	[11][13]

ST-01	Supply motor contactor	[2][7][9]
-------	------------------------	-----------

SW-01	Main disconnect switch	[2]
SW-03	Damper end limit switch	[4]
SW-04	40 Amp Rotary Disconnect	[12-14]
SW-06	Overflow Switch	[12-13]

TR-01	Power transformer(200v)	[12]
TR-02	Power transformer(20va)	[12]
TR-03	Ignition transformer	[14]
TR-04	Power transformer(20va)	[17]
TR-05	Cond Transformer(40va)	[12]

TS-02	High temp limit switch	[10]
TS-03	Intake Air Sensor	[10]
TS-05	Discharge Air Sensor	[21]
TS-06	Cooling Thermostat	[16]

VA-01	Pilot gas valve	[13]
VA-02	Main gas valve	[18]
VA-03	Modulating gas valve	[20]

SUPPLY	MOTOR INFO
CONTACTOR:	2HP-230V-3P-5.3FLA
OVERLOAD:	100-K09D10
	193-KB63

ELECTRICAL INFORMATION
 MOTOR/CTRL CIRCUIT MCA: 7.7A
 MOTOR/CTRL CIRCUIT MOP: 15A
 COND1 MCA = 11.2A COND1 MOP = 20A
 COND2 MCA = 11.2A COND2 MOP = 20A

NOTES
 --- DENOTES FIELD WIRING
 ——— DENOTES INTERNAL WIRING

** TERMINALS S4 AND S6 USED ON NF & AF SERIES ACTUATORS
 *** TERMINAL 11 PROVIDES COOLING CONNECTION

WIRE COLOR	SOCKET STYLE
BK-BLACK	ND 4 3
BL-BLUE	NC 2 1
BR - BROWN	COIL 8 7
DR - ORANGE	COM 6 5
GY - GRAY	
GR - GREEN	
WH - WHITE	
PR - PURPLE	
RD - RED	
YW - YELLOW	
PK - PINK	

Installation Wiring

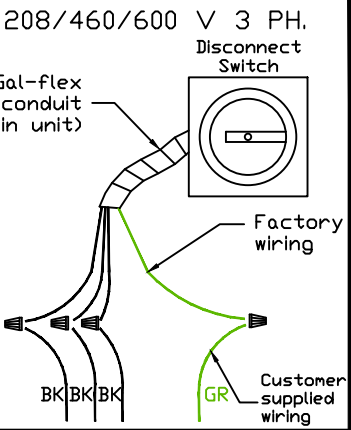
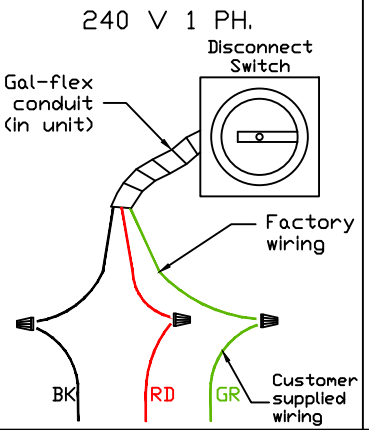
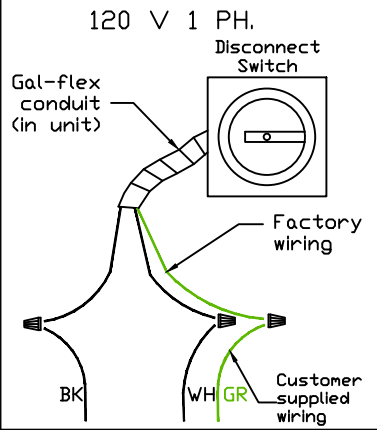
JOB NAKS Direct Fired MPU

DRAWING NUMBER

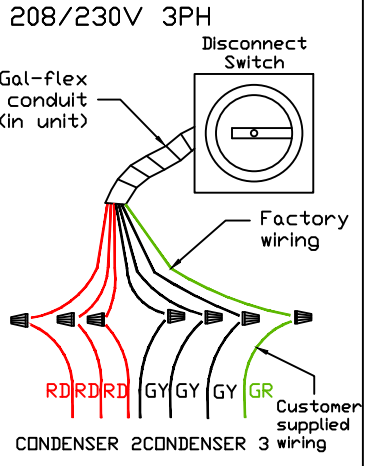
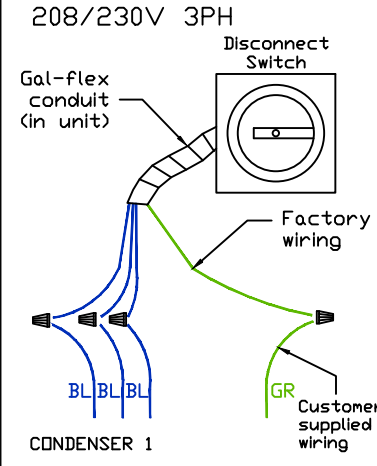
SHIP DATE

MODEL TK 1-4 Series

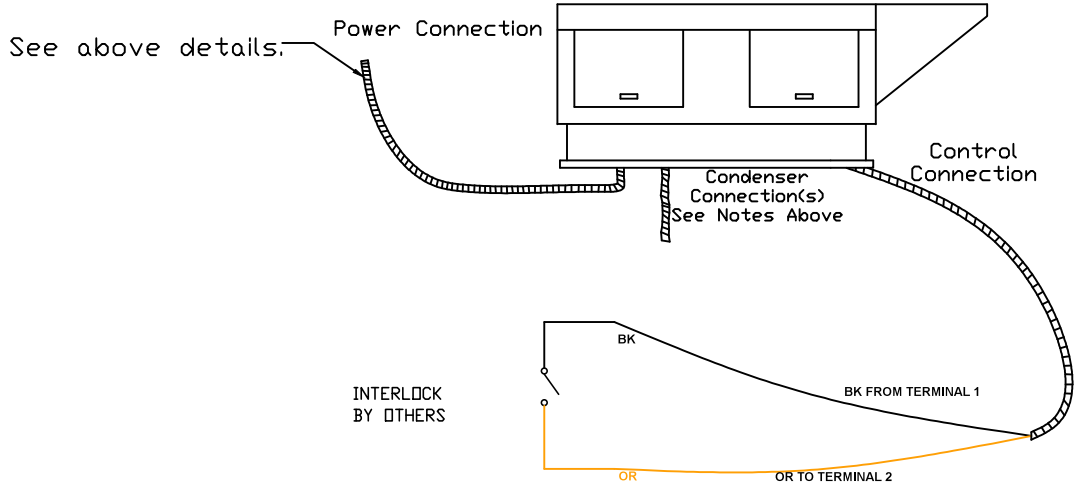
Installed Options



Field Wired On/Off Switch



DO NOT CONNECT CONDENSER POWER DROPS TO KITCHEN CONTROL PACKAGE STARTERS OR VFDS



NOTES

- WIRE COLOR
- BK - BLACK
 - BL - BLUE
 - BR - BROWN
 - OR - ORANGE
 - RD - RED
 - WH - WHITE
 - YW - YELLOW
 - GR - GREEN
 - GY - GRAY
 - PR - PURPLE
 - PK - PINK